



GET READY FOR THE FLIGHT OF YOUR LIFE!



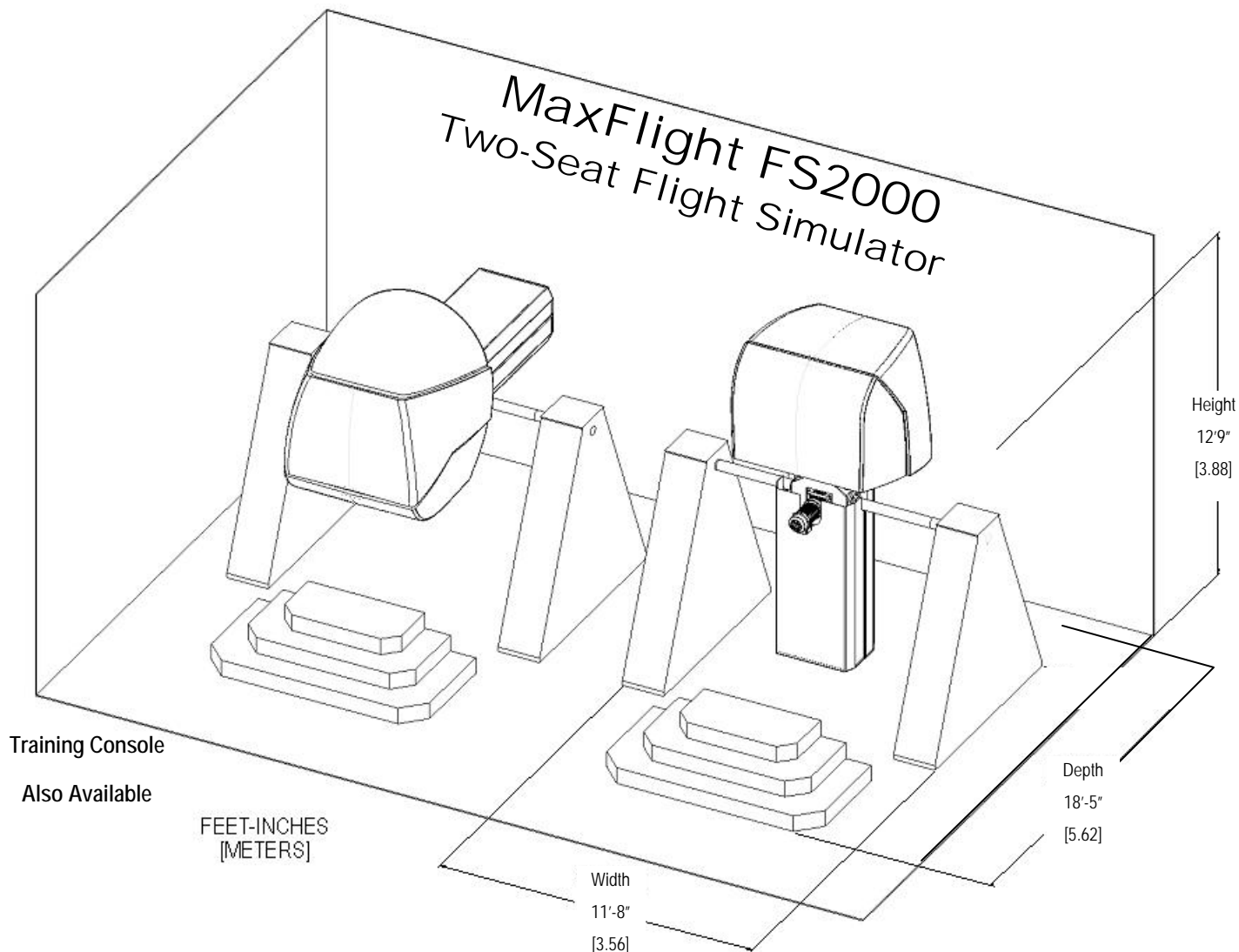
The Dual-Seater is ready to duel! The **FS2000** Two-Seat Flight Simulator is part of an all-new, sleek squadron of indoor full-motion multi-role aircraft rides. Each is poised for the sharp banks, sky loops and screaming dives of pulse-pounding aerial combat and is completely controlled by the pilots themselves! The 360-degree pitch, roll, spin and spiral action is real while riders fly any one of MaxFlight's combat and flight training programs on a huge high-definition screen in the cockpit.

Faster, sharper and more exciting than any indoor thrill-ride on the market, the FS2000 lets guests be pilot or gunner or both as they engage in interactive dog fighting, carrier landings, flight training and aerobatic maneuvers with the finest, most realistic graphics available. Network together an unlimited number of FS2000 Simulators for a full out, adrenaline-filled World War II dog fight! Like all MaxFlight Simulators, the **FS2000** carries the big guns of **solid revenue**, **high volume**, **small footprint** and **excellent return on investment**.



VISIT US ONLINE AT WWW.MAXFLIGHT.COM FOR MORE INFORMATION

MaxFlight Corporation * 1 Executive Dr. * Toms River, NJ 08755-4947 * USA * Phone: +1(732) 281-2007 * Fax: +1(732)281-2009 * sales@maxflight.com



SPECIFICATIONS

Game Specifications

Model	MaxFlight FS2000 Two-Seat Flight Simulator
Description	Full 2-axis 360-degree motion base simulator
Game Description	Interactive Flying Games
Total Cycle Time Per Play	Variable
Players Per Machine	Two
Proprietary Hardware	Yes
Computer Platform	Intel Compatible PC, Windows
Proprietary Software	Yes
Display System	LCD Projector
Operator Required	Yes
On-Site Technician Required	Yes (free factory training available)
Remote Diagnostics / Support	Via Modem/ Internet or phone

Physical/Electrical Specifications

Height Requirements	12 feet, 9 inches (3.88 meters)
Width (fenced)	11 feet, 8 inches (3.56 meters)
Length (Depth)\(fenced)	18 feet, 5 inches (5.62 meters)
Floor Area	214.91 sq. ft. (20.01 sq. m)
Contact Feet	(2) 8 inches x 88 inches (20.3 cm x 223.5 cm)
Weight	4,000 lbs. (1,814.36 kg) approx.
Static Floor Loading	19.39 lbs./sq. ft (94.58 kg/sq. m)
Electrical Requirements	
(North America)	(1) 208-volt 3-phase 60Hz, 30 Amps (dedicated) (2) 110-volt 1-phase 60Hz, 20 Amps (dedicated)
(Outside North America)	Available upon request
Shipping Weight	4,300 lbs. (1,950.44 kg)

VISIT US ONLINE AT WWW.MAXFLIGHT.COM FOR MORE INFORMATION

MaxFlight Corporation * 1 Executive Dr. * Toms River, NJ 08755-4947 * USA * Phone: +1(732) 281-2007 * Fax: +1(732)281-2009 * sales@maxflight.com